

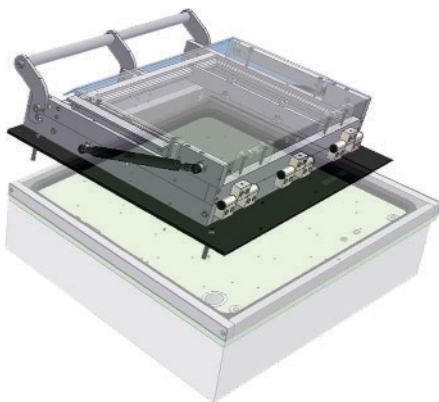
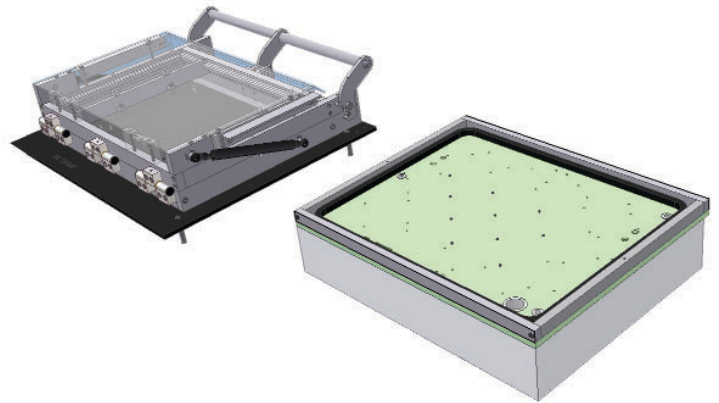
Genrad and Teradyne Kits

Whether designed for your Genrad or Teradyne tester, RNS can supply you with the same quality fixture kits as we use for our own fixtures.

Each kit comes with:

- Appropriate sized pan
- Full length hinge
- Front latch mechanism
- Vacuum ports and hoses (only one port and hose on the 16" x 20" kit)
- Pan shock mounts
- Plate shock mounts
- Air shocks
- 3/8" thick FR4/G10 probe plate
- 8mm thick ESD safe FR4/G10 top plate
- Automatic cycle counter
- Fixture down probes
- Fixture handles
- and all the required hardware

We offer four kits for these testers, dependent on the size of the UUT and the tester to be used.



FKGR1620

is a 16" x 20" fixture kit, suitable for UUTs up to 15" x 9.75".

FKGR2030

is a 20" x 30" fixture kit, suitable for UUTs up to 18.5" x 12.5"

FKGR2430

is a 24" x 30" fixture kit, suitable for UUTs up to 20.5 x 16.13"

FKGR2030C

is a 20" x 30" fixture kit with an adapter to use a smaller gate, which converts it to the same useable area as the FKGR1620 kit.